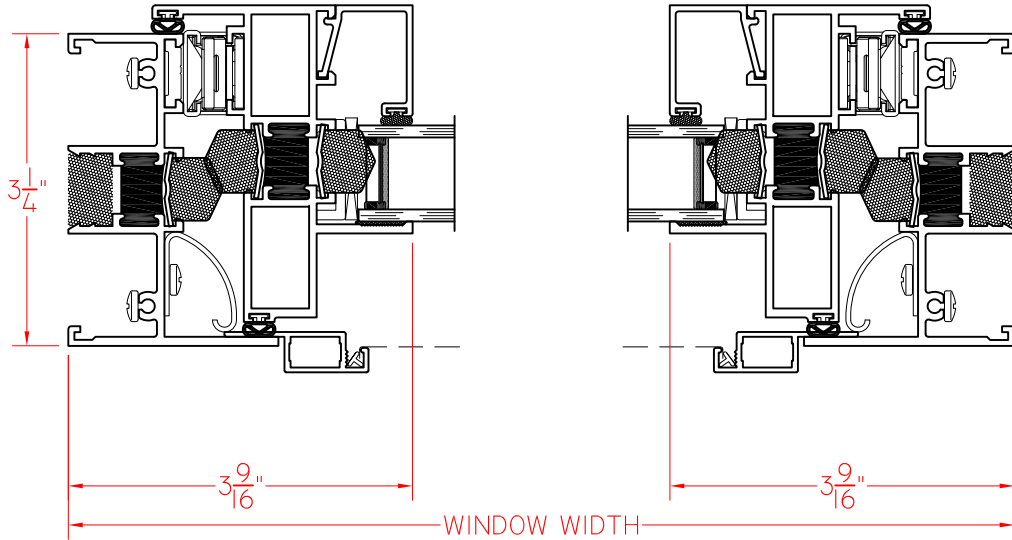
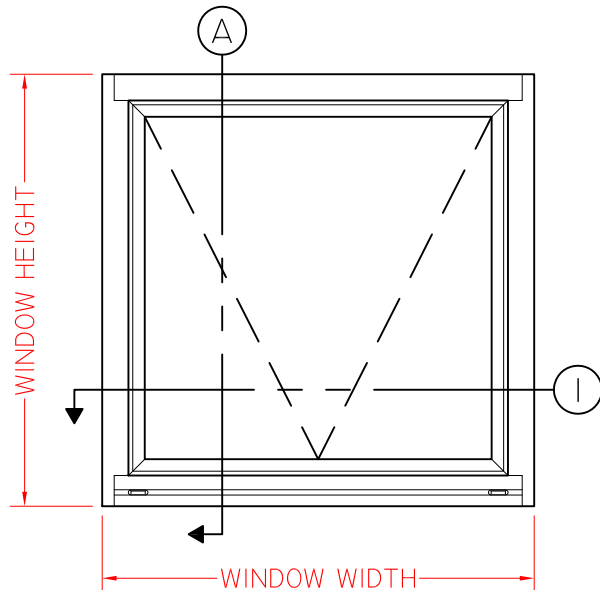
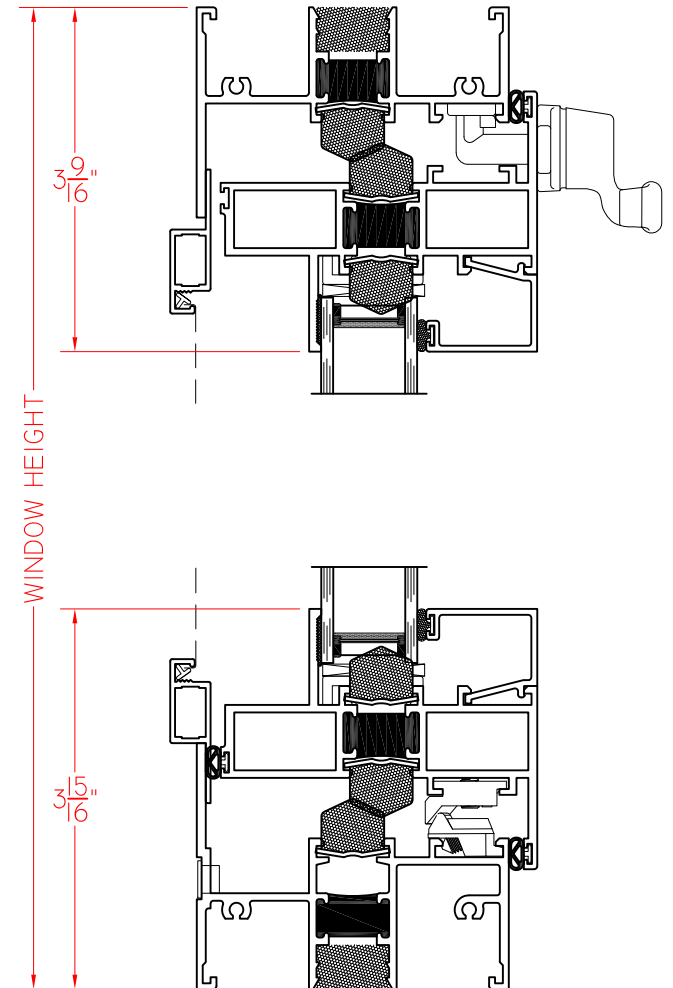


E600 HOPPER



① HORIZONTAL CROSS SECTION

Ⓐ VERTICAL CROSS SECTION

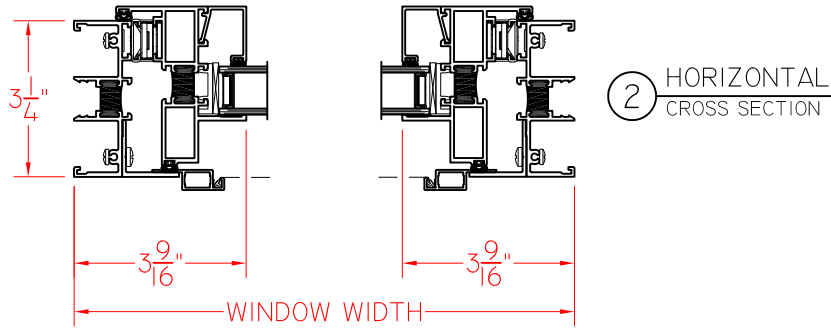
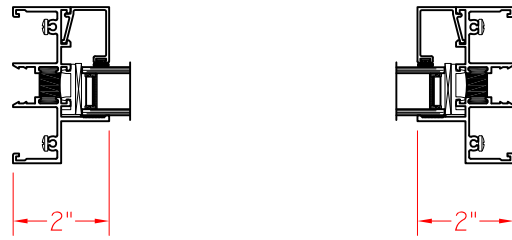


ELEVATION SCALE $3\frac{3}{4}" = 1'-0"$

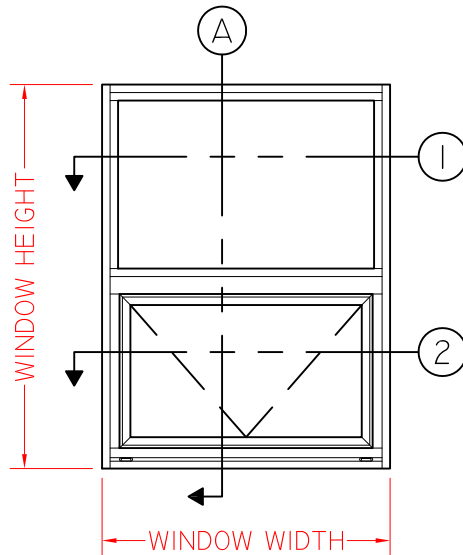
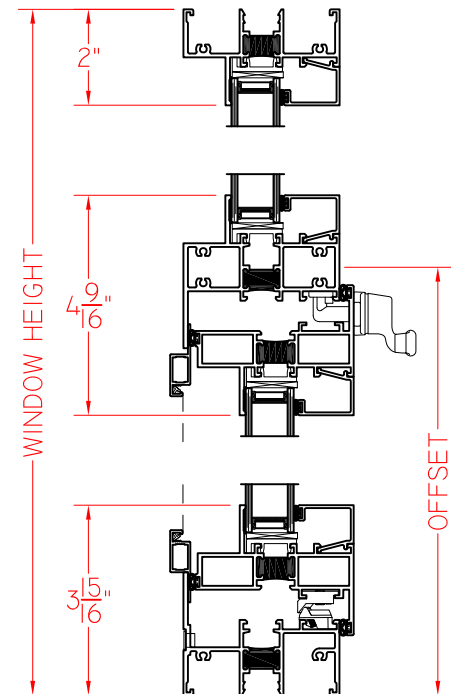
E600 FIXED / HOPPER

THIS DOCUMENT CONTAINS CONFIDENTIAL AND PROPRIETARY INFORMATION INTENDED FOR THE PRIVATE USE OF QUAKER. ©2015 QUAKER WINDOW PRODUCTS Co., Inc. ALL RIGHTS RESERVED.

QUAKER RESERVES THE RIGHT TO CHANGE ANY/ALL DESIGNS WITHOUT NOTICE. DUE TO PERIODIC RE-CERTIFICATION REQUIREMENTS, RESULT SHOWN MAY VARY.



Ⓐ VERTICAL CROSS SECTION



ELEVATION SCALE 1/2" = 1'-0"