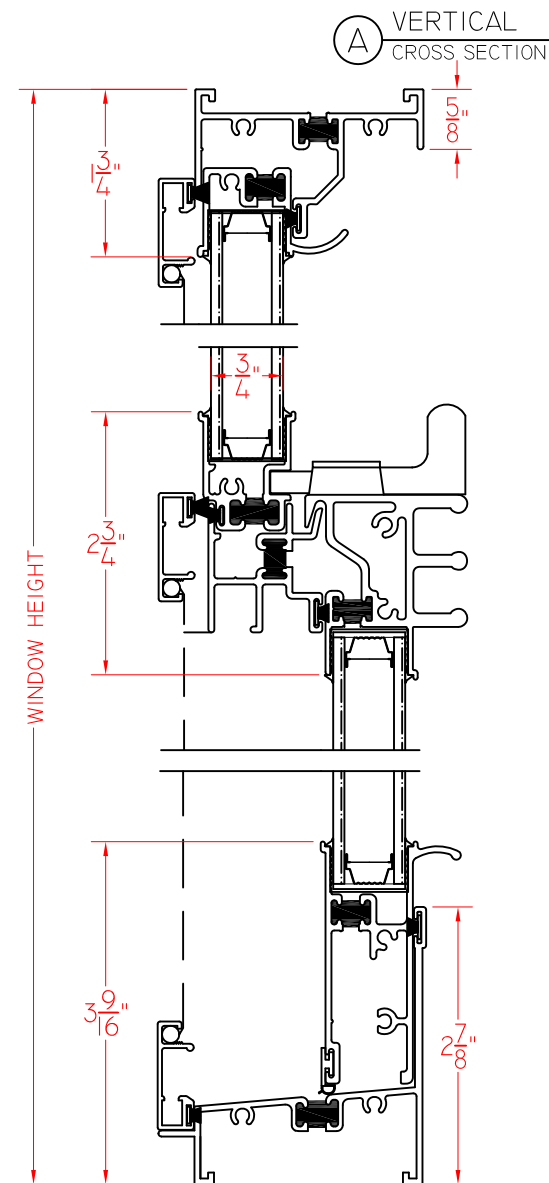
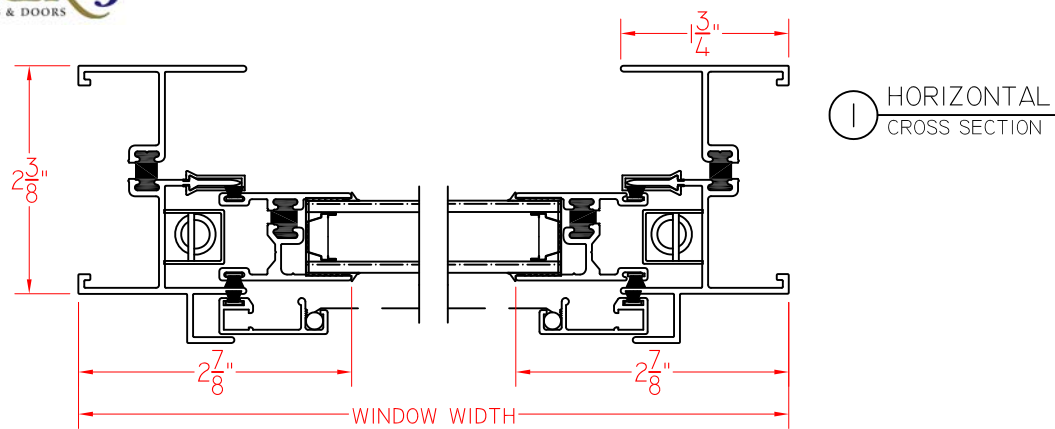
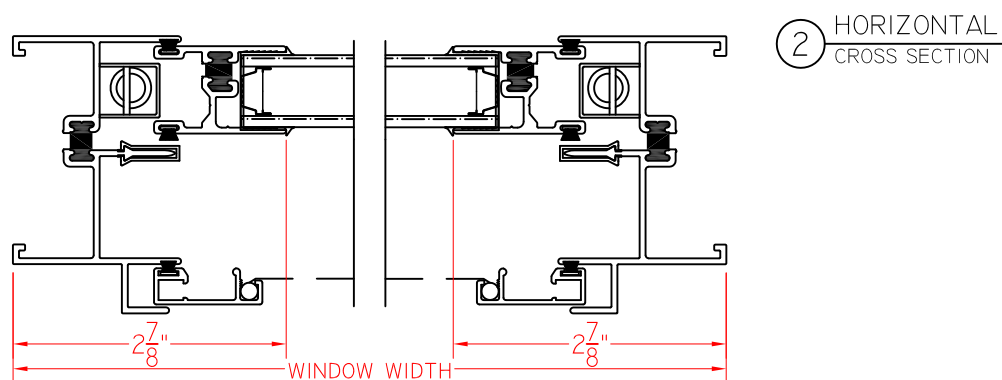
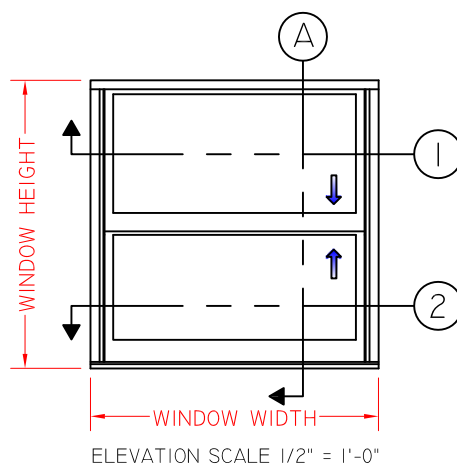
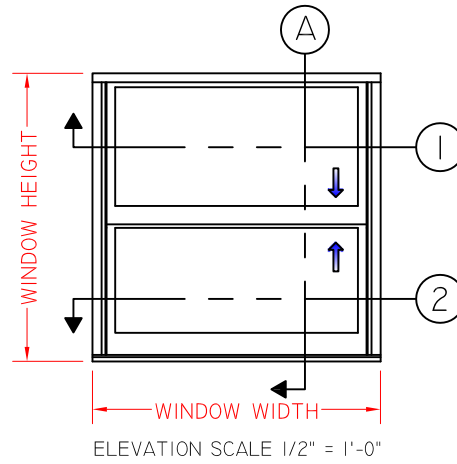
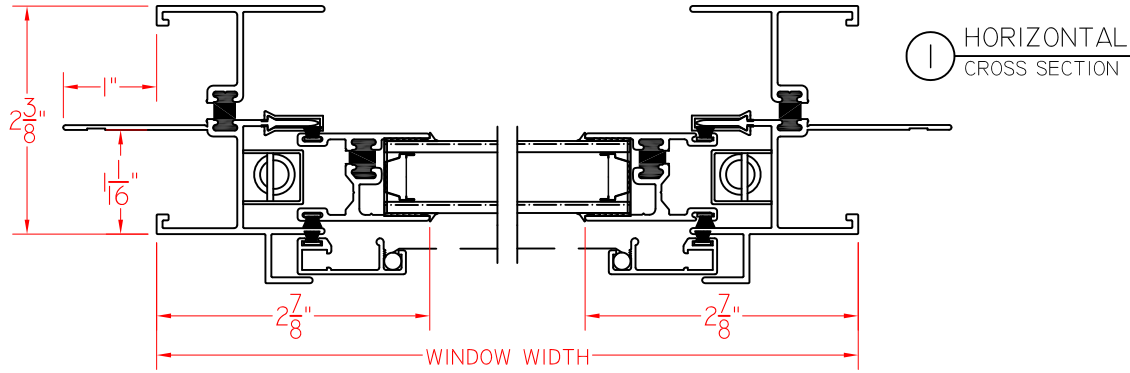


K200 DOUBLE HUNG & SINGLE HUNG

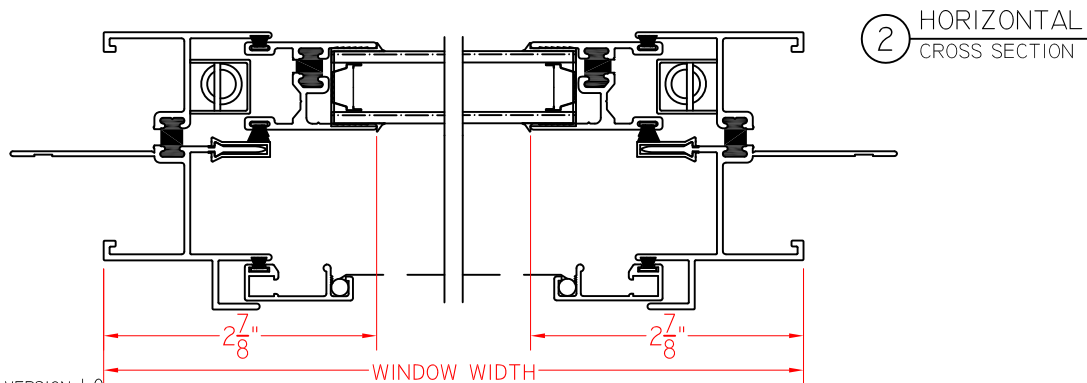


THIS DOCUMENT CONTAINS CONFIDENTIAL AND PROPRIETARY INFORMATION INTENDED FOR THE PRIVATE USE OF QUAKER. ©2015 QUAKER WINDOW PRODUCTS Co., INC. ALL RIGHTS RESERVED. QUAKER RESERVES THE RIGHT TO CHANGE ANY/ALL DESIGNS WITHOUT NOTICE. DUE TO PERIODIC RE-CERTIFICATION REQUIREMENTS, RESULT SHOWN MAY VARY.





THIS DOCUMENT CONTAINS CONFIDENTIAL AND PROPRIETARY INFORMATION INTENDED FOR THE PRIVATE USE OF QUAKER. ©2015 QUAKER WINDOW PRODUCTS CO., INC. ALL RIGHTS RESERVED. QUAKER RESERVES THE RIGHT TO CHANGE ANY/ALL DESIGNS WITHOUT NOTICE. DUE TO PERIODIC RE-CERTIFICATION REQUIREMENTS, RESULT SHOWN MAY VARY.



K200 DOUBLE HUNG & SINGLE HUNG
WITH NAIL FIN

