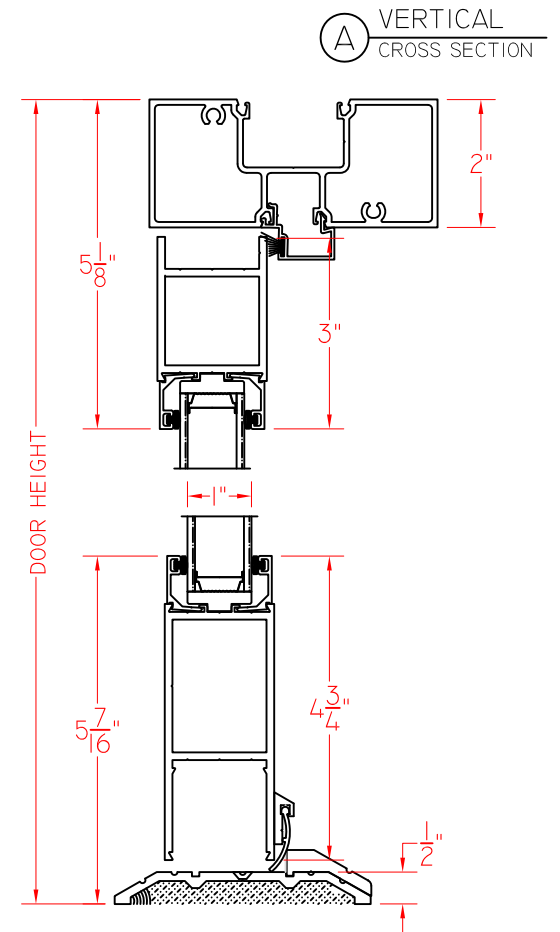
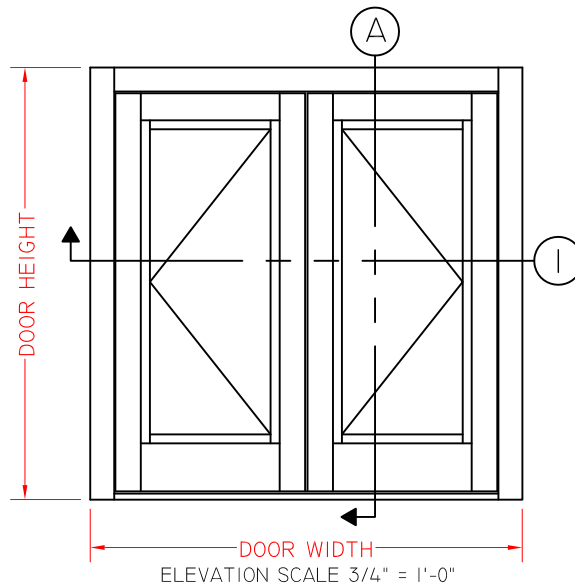
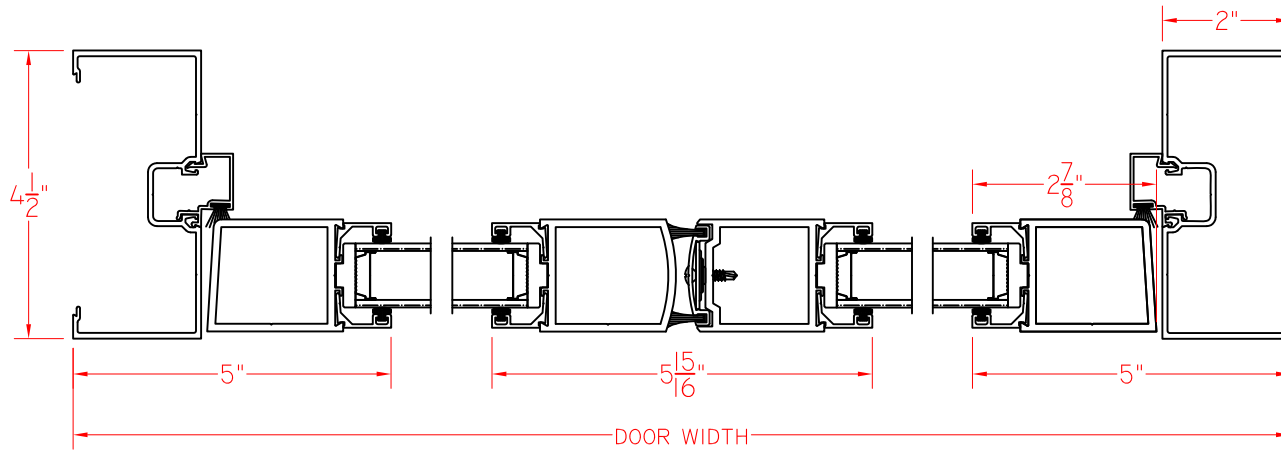


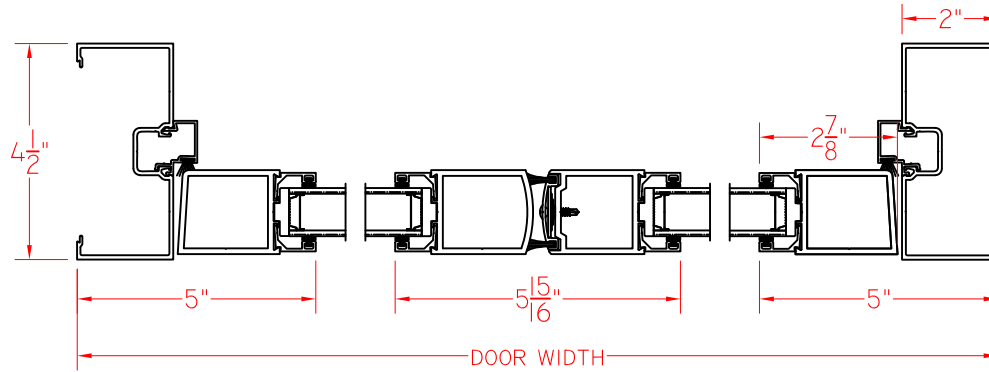


THIS DOCUMENT CONTAINS CONFIDENTIAL AND PROPRIETARY INFORMATION INTENDED FOR THE PRIVATE USE OF QUAKER. ©2015 QUAKER WINDOW PRODUCTS Co., Inc. ALL RIGHTS RESERVED. QUAKER RESERVES THE RIGHT TO CHANGE ANY/ALL DESIGNS WITHOUT NOTICE. DUE TO PERIODIC RE-CERTIFICATION REQUIREMENTS, RESULT SHOWN MAY VARY.

ALUMINUM NARROW STYLE ENTRANCE DOOR

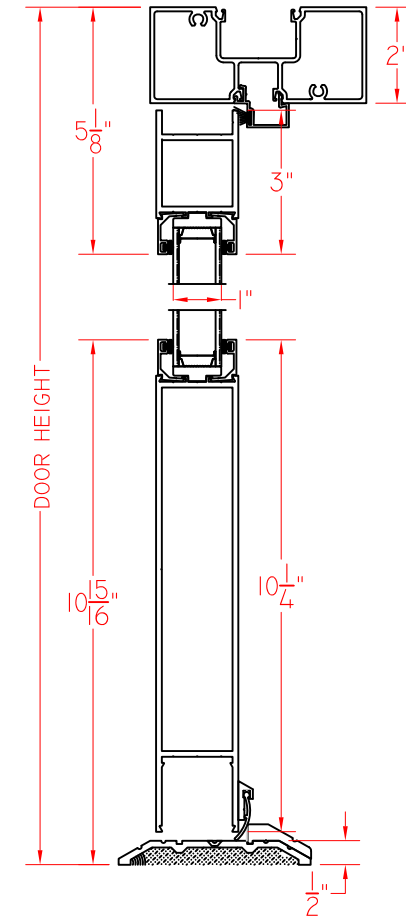
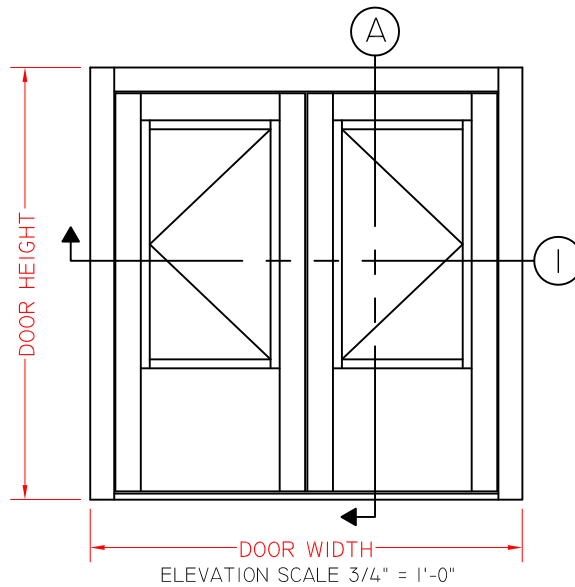


ALUMINUM NARROW STYLE ENTRANCE DOOR WITH 10" RAIL

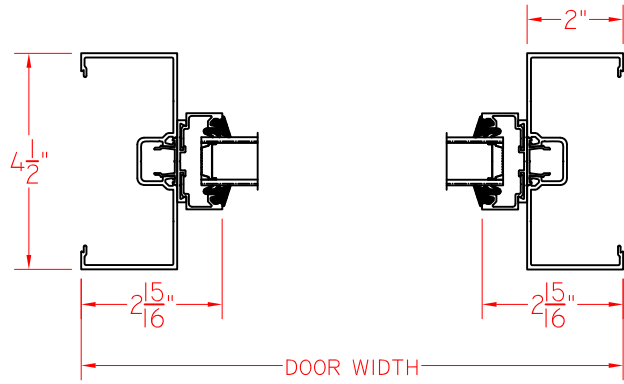


① HORIZONTAL
 CROSS SECTION

Ⓐ VERTICAL
 CROSS SECTION

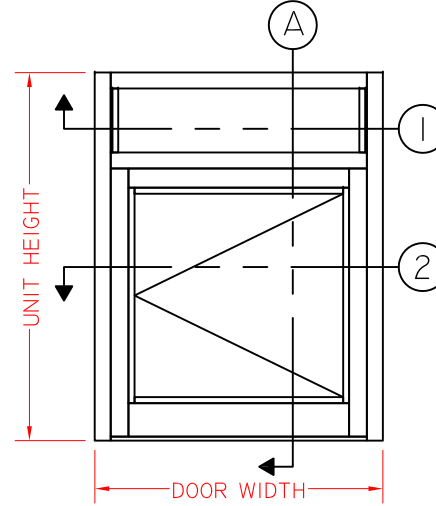


ALUMINUM NARROW STYLE ENTRANCE DOOR WITH TRANSOM

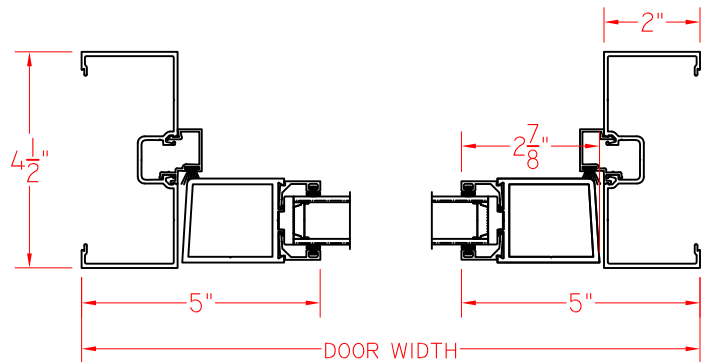
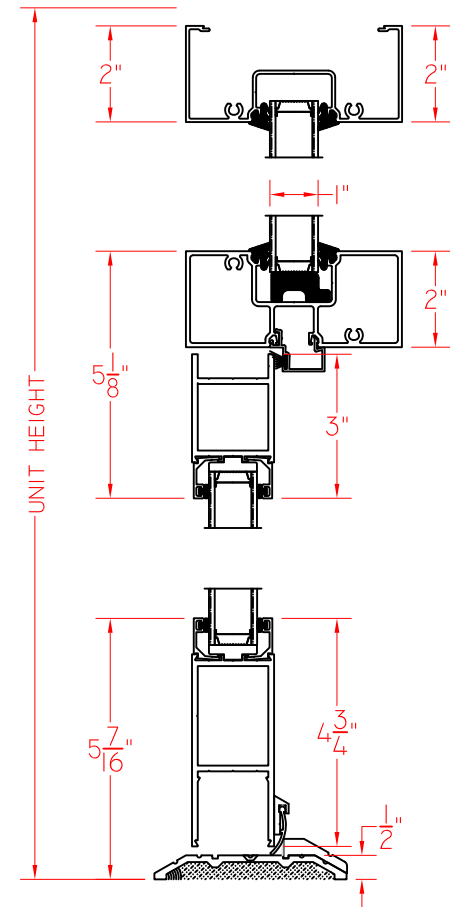


① HORIZONTAL CROSS SECTION

Ⓐ VERTICAL CROSS SECTION



ELEVATION SCALE 1/2" = 1'-0"



② HORIZONTAL CROSS SECTION