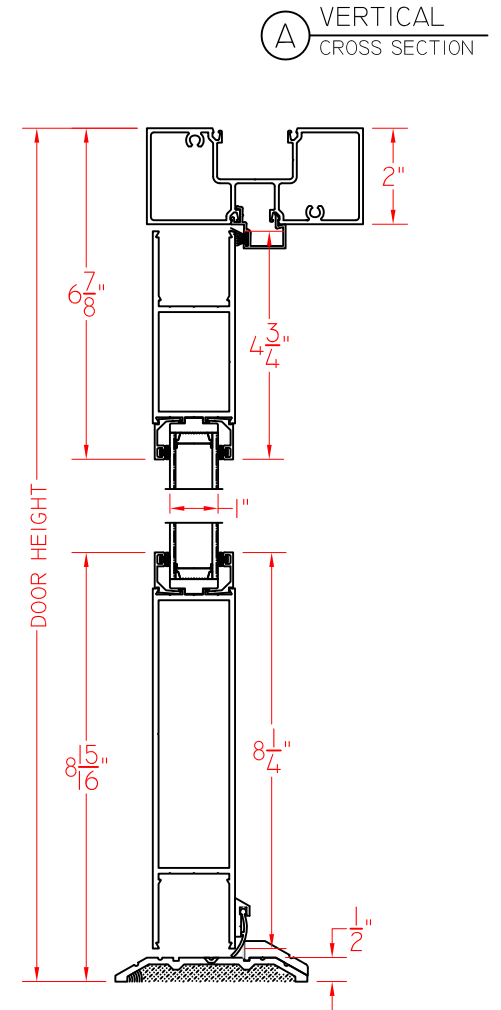
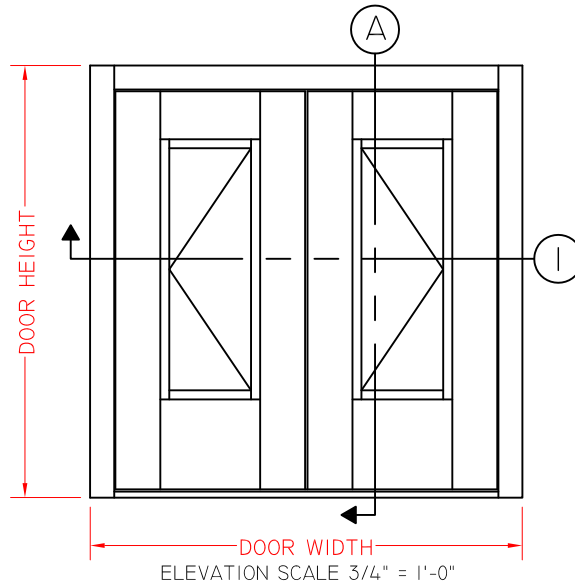
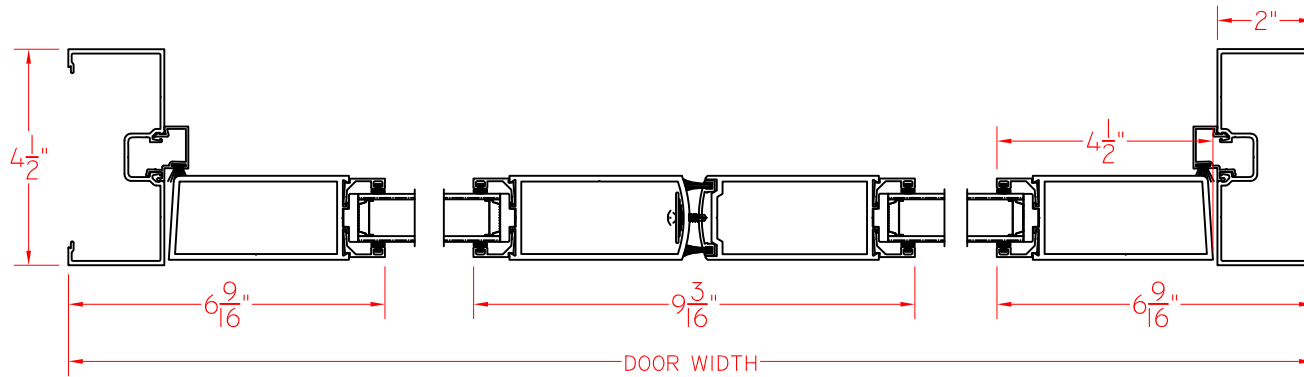




THIS DOCUMENT CONTAINS CONFIDENTIAL AND PROPRIETARY INFORMATION INTENDED FOR THE PRIVATE USE OF QUAKER. ©2015 QUAKER WINDOW PRODUCTS Co., Inc. ALL RIGHTS RESERVED. QUAKER RESERVES THE RIGHT TO CHANGE ANY/ALL DESIGNS WITHOUT NOTICE. DUE TO PERIODIC RE-CERTIFICATION REQUIREMENTS, RESULT SHOWN MAY VARY.

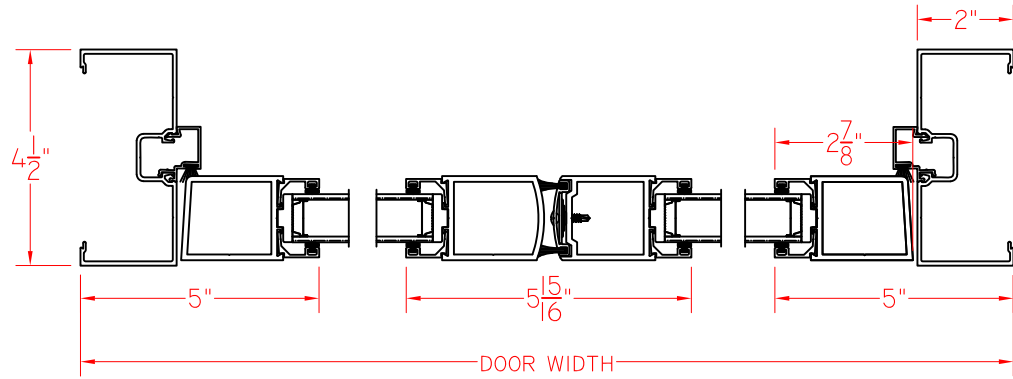
ALUMINUM MEDIUM STYLE ENTRANCE DOOR





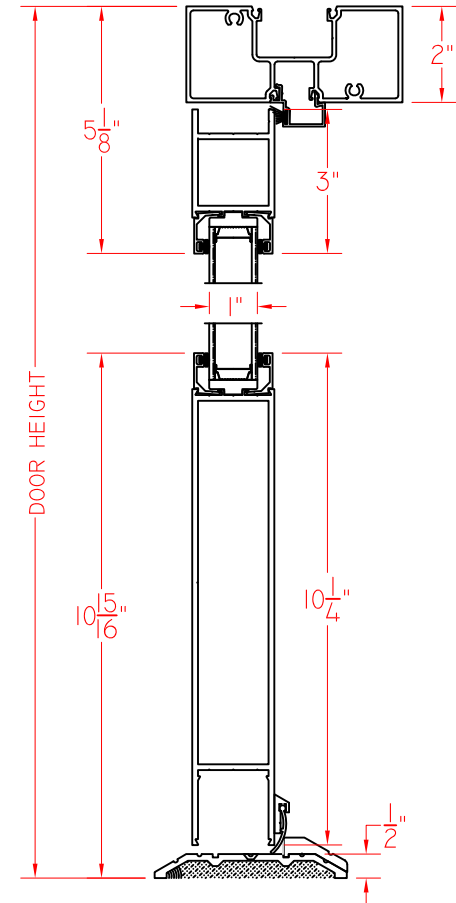
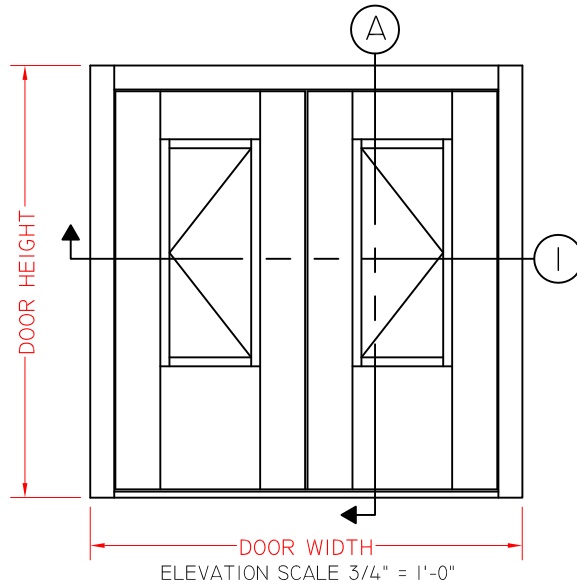
THIS DOCUMENT CONTAINS CONFIDENTIAL AND PROPRIETARY INFORMATION INTENDED FOR THE PRIVATE USE OF QUAKER. ©2015 QUAKER WINDOW PRODUCTS Co., Inc. ALL RIGHTS RESERVED. QUAKER RESERVES THE RIGHT TO CHANGE ANY/ALL DESIGNS WITHOUT NOTICE. DUE TO PERIODIC RE-CERTIFICATION REQUIREMENTS, RESULT SHOWN MAY VARY.

ALUMINUM MEDIUM STYLE ENTRANCE DOOR WITH 10" RAIL

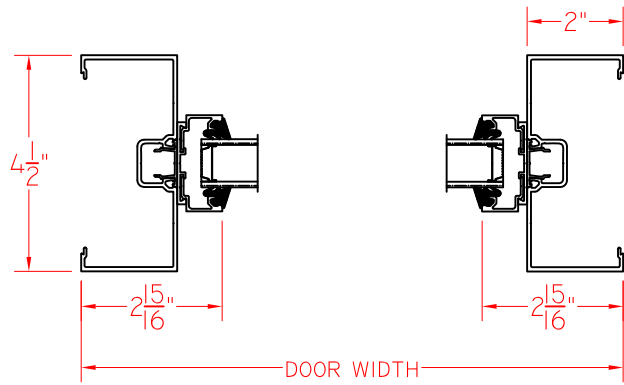


① HORIZONTAL CROSS SECTION

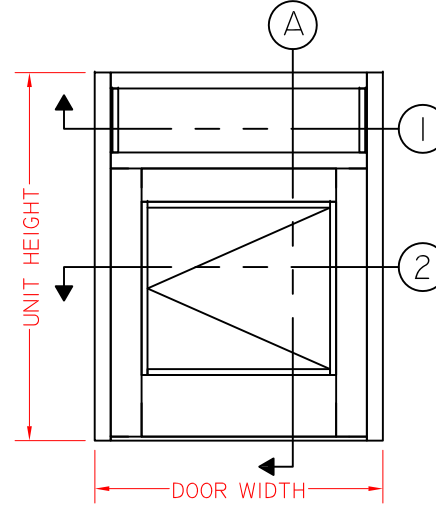
Ⓐ VERTICAL CROSS SECTION



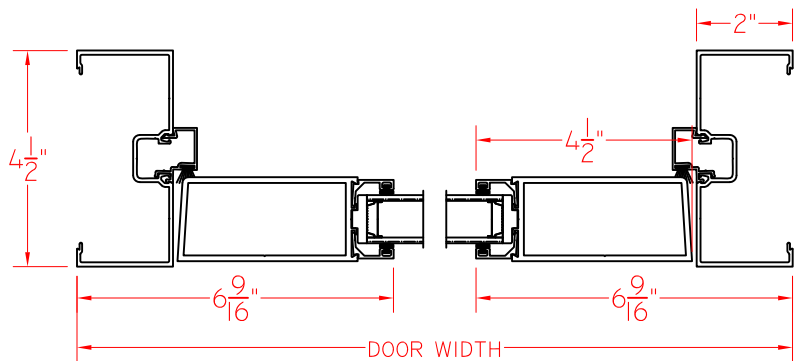
ALUMINUM NARROW STYLE ENTRANCE DOOR WITH TRANSOM



① HORIZONTAL
CROSS SECTION

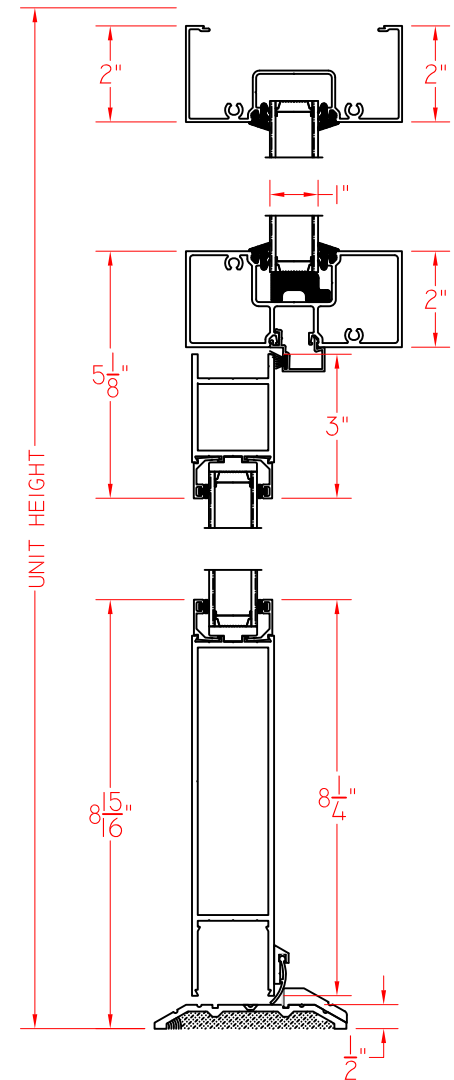


ELEVATION SCALE $\frac{1}{2}$ " = 1'-0"



② HORIZONTAL
CROSS SECTION

Ⓐ VERTICAL
CROSS SECTION



SCALE 3" = 1' 0"