



H450 Series 3 1/4" Frame Depth Fixed (Picture Window)

H450 SERIES FIXED (PICTURE WINDOW)

FEATURES

- ◇ Commercial Framing System
 - 3 1/4" main frame
 - Historically-correct bevel frame exterior
 - Minimum of 0.080" wall thickness, 0.70 on TDL
 - Available with or without integral nailing fin
- ◇ Thermally Enhanced Design
 - Thermally-broken main frame and vent rails
 - Azon pour and debridge thermal break technology
- ◇ Glazing
 - 1" insulating glass

BENEFITS

- ◇ Historically accurate profiles to help your project meet Historic Preservation codes
- ◇ The capacity to match exterior colors for unique project facades
- ◇ The ability to facilitate large sizes for taller and wider window openings

OPTIONS

- ◇ Available Configurations
 - Fixed
 - Continuous frame capabilities
- ◇ Muntin Choices
 - Internal or simulated divided lites available
- ◇ Floating Operator Available Configurations
 - Multiple configurations of Fixed and Operating units with up to 5 units wide or 5 units tall, all within a continuous frame (*limitations apply*)
- ◇ Glazing
 - Multiple Low-E and argon glazing choices
 - Capillary tubes
 - Wide variety of glazing, tinting and thickness options
- ◇ Panning & Trim Choices
 - Wide variety of panning, receptor and trim available
- ◇ Mulling
 - Wide variety of structural mulls

PERFORMANCE

- ◇ Structural & Thermal (test reports or thermal simulations available upon request)

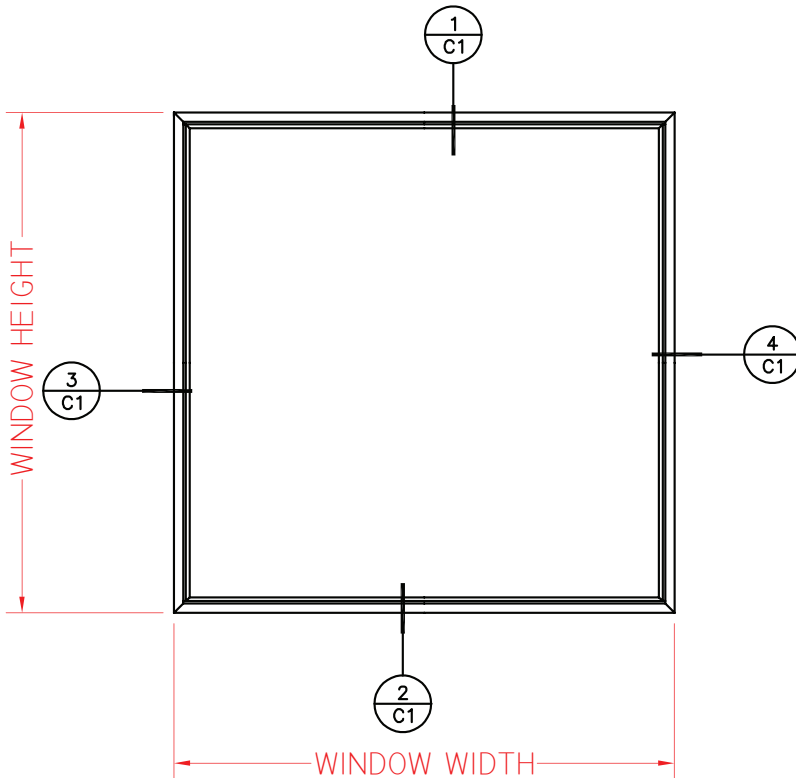
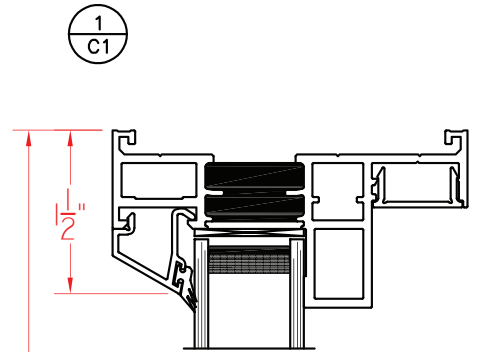
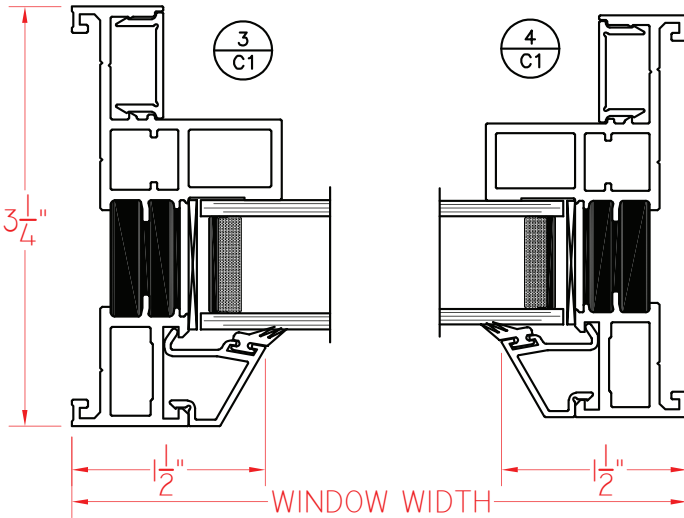
Model	Fixed (Picture Window)
Test Size:	60" x 99"
NAFS Rating	Up to AW100
Air at 50 MPH (cfm/ft ²)	<0.10
Water (No Penetration) P.S.F.	Up to 15
U-Value (ranges based on multiple Low-E/Argon combinations)	0.23-0.46
SHGC (ranges based on multiple Low-E/Argon combinations)	0.16-0.25
CR (ranges based on multiple Low-E/Argon combinations)	47-69

Our products are tested to the standards of and certified by some of the foremost organizations in the fenestration industry.

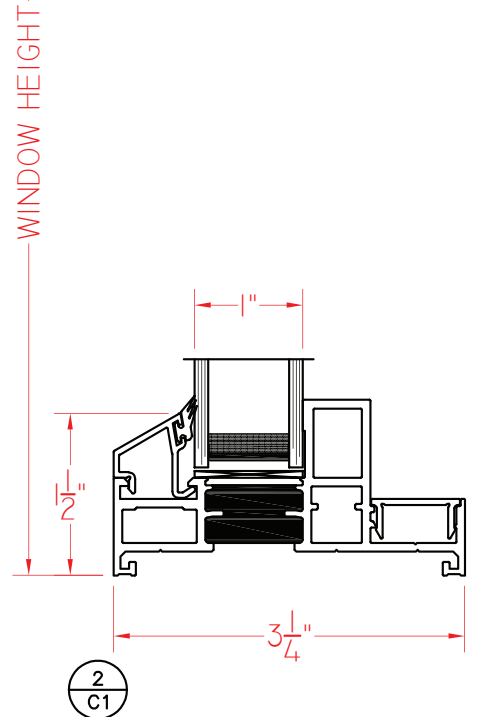


H450 SERIES FIXED WITHOUT NAIL FIN

This document contains confidential and proprietary information intended for the private use of Quaker.
© 2020 Quaker Window Products Co., INC. All rights reserved.
Quaker reserves the right to change any/all designs without notice. Due to periodic re-certification requirements, result shown may vary.



ELEVATION SCALE 3/4" = 1'-0"



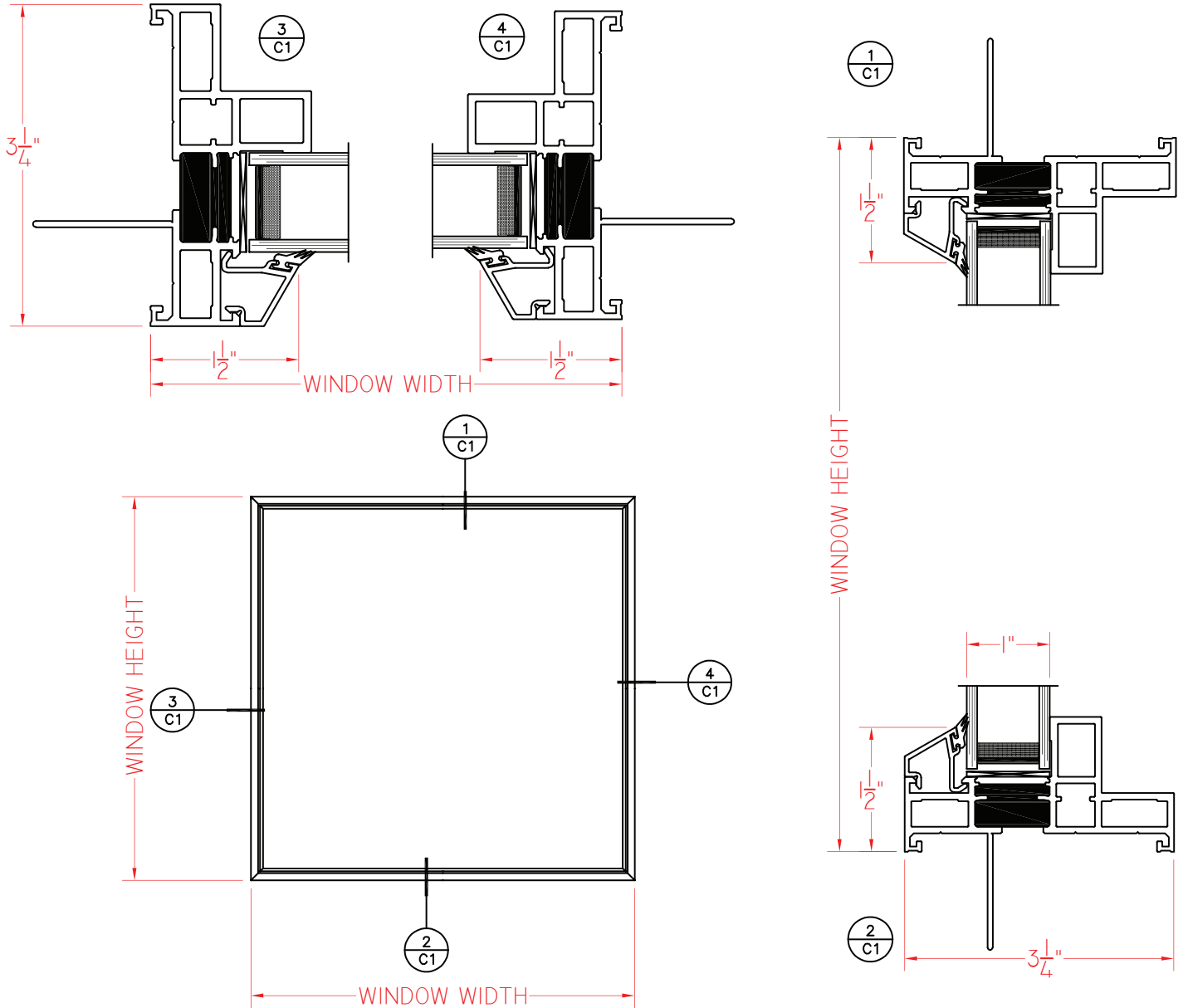
Our products are tested to the standards of and certified by some of the foremost organizations in the fenestration industry.



SHEET C1
SCALE 1:2

H450 SERIES FIXED WITH NAIL FIN

This document contains confidential and proprietary information intended for the private use of Quaker.
© 2020 Quaker Window Products Co., INC. All rights reserved.
Quaker reserves the right to change any/all designs without notice. Due to periodic re-certification requirements, result shown may vary.



SHEET C1
SCALE 1:2

Our products are tested to the standards of and certified by some of the foremost organizations in the fenestration industry.



H450 FLOATING VENT (FIXED/PROJECT-OUT)

This document contains confidential and proprietary information intended for the private use of Quaker.
© 2020 Quaker Window Products Co., INC. All rights reserved.
Quaker reserves the right to change any/all designs without notice. Due to periodic re-certification requirements, result shown may vary.

