

# H450 Series 3 1/4" Frame Depth Project-Out

## H450 SERIES PROJECT-OUT

### FEATURES

- ◇ Commercial Framing System
  - 3 1/4" main frame
  - Historically-correct bevel frame exterior
  - Minimum of 0.080" wall thickness
  - Dual Euro Groove System
  - Available with or without integral nailing fin
- ◇ Thermally Enhanced Design
  - Thermally-broken main frame and vent rails
  - Azon pour and debridge thermal break technology
- ◇ Glazing
  - 1" insulating glass
- ◇ Hardware
  - Maxim LP Locking System, 4-Bar Hinge and Roto Hardware on crank out model
  - Maxim LP Locking System, 4-Bar Hinge and Cam Turn Hardware on push-out model
- ◇ Screen
  - Easily removable FlexScreen on some operating models

### OPTIONS

- ◇ Available Configurations
  - Project-out
  - Push Out or Roto
  - Continuous frame capabilities
  - Fixed
- ◇ Floating Operator Available Configurations
  - Multiple configurations of Fixed and Operating units with up to 5 units wide or 5 units tall, all within a continuous frame (*limitations apply*)
- ◇ Muntin Choices
  - Internal or simulated divided lites available
- ◇ Hardware
  - Limit Travel Accessories
- ◇ Screen
  - Wicket Screen (for Push-out model only)
- ◇ Glazing
  - Multiple Low-E and argon glazing choices
  - Capillary tubes
  - Wide variety of glazing, tinting and thickness options
- ◇ Panning & Trim Choices
  - Wide variety of panning, receptor and trim available
- ◇ Mulling
  - Wide variety of structural mulls

### BENEFITS

- ◇ Historically accurate profiles to help your project meet Historic Preservation codes
- ◇ The capacity to match exterior colors for unique project facades
- ◇ The ability to facilitate large sizes for taller and wider window openings

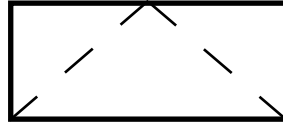
### PERFORMANCE

- ◇ Structural & Thermal (test reports or thermal simulations available upon request)

Model	Project-Out
Test Size:	60" x 36"
NAFS Rating	Up to CW-PG90-AP
Air Infiltration (cfm/ft <sup>2</sup> )	<0.30
Water (No Penetration) P.S.F.	Up to 15
U-Value (ranges based on multiple Low-E/Argon combinations)	0.30-0.46
SHGC (ranges based on multiple Low-E/Argon combinations)	0.14-0.26
CR	Up to 57

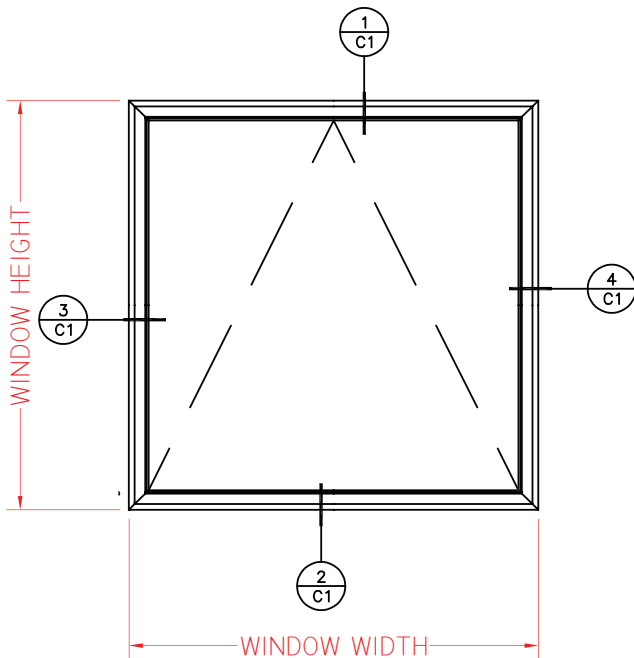
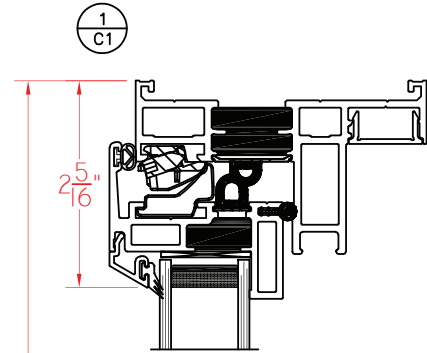
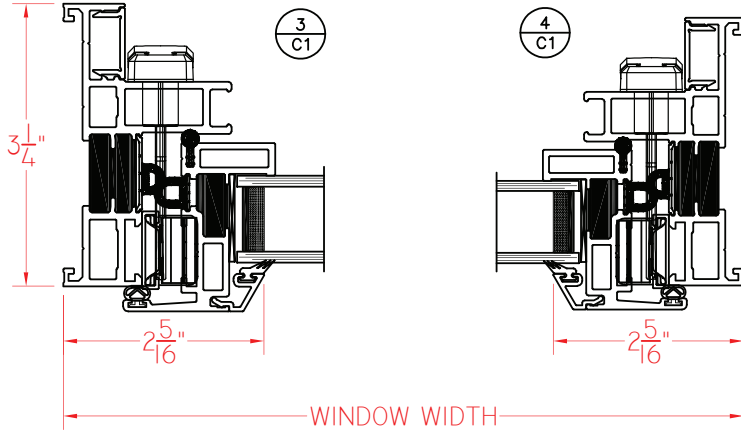
Our products are tested to the standards of and certified by some of the foremost organizations in the fenestration industry.



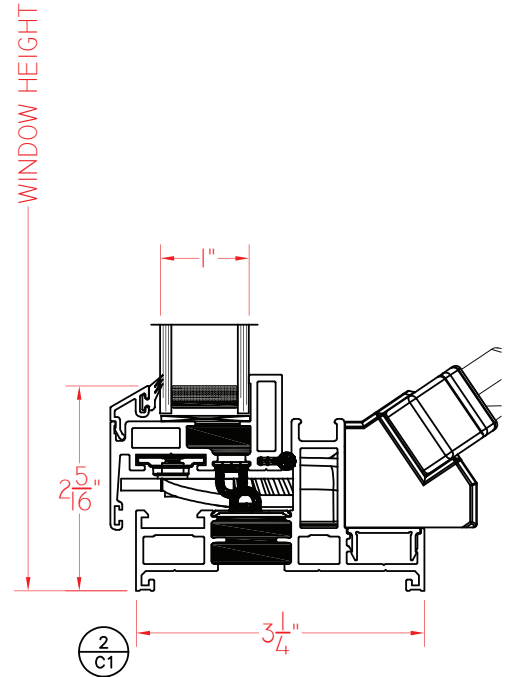


# H450 PROJECT-OUT WITHOUT NAILING FIN (ROTO)

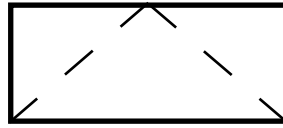
This document contains confidential and proprietary information intended for the private use of Quaker.  
© 2020 Quaker Window Products Co., INC. All rights reserved.  
Quaker reserves the right to change any/all designs without notice. Due to periodic re-certification requirements, result shown may vary.



ELEVATION SCALE 3/4" = 1'-0"

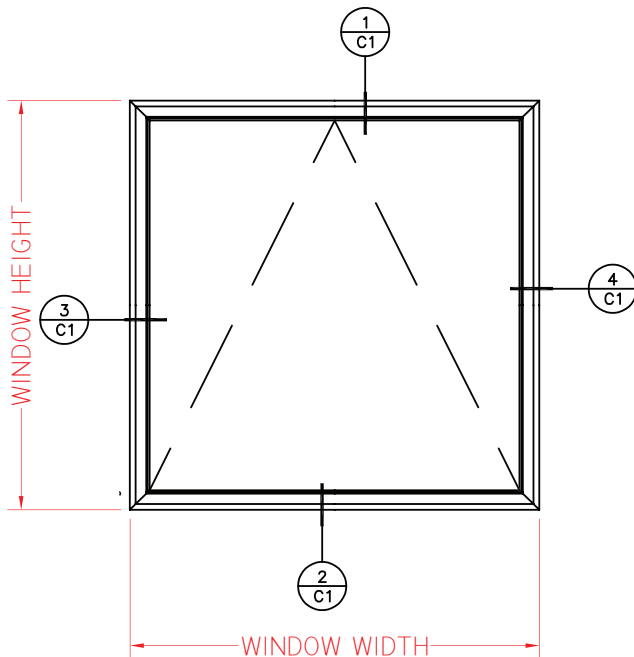
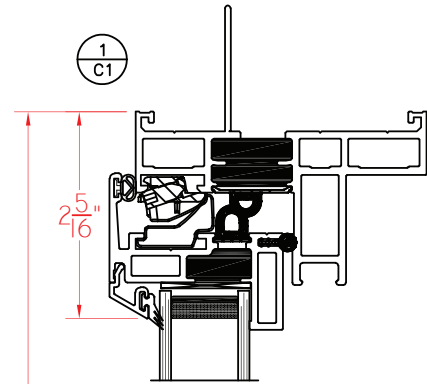
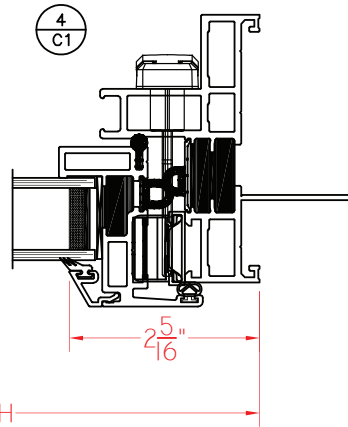
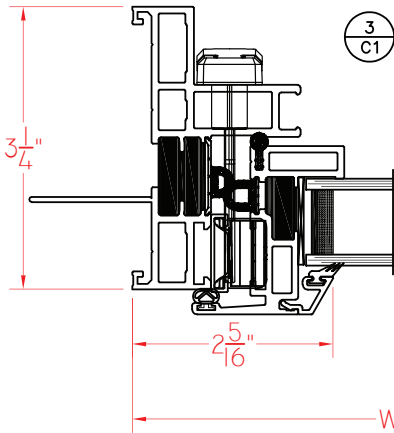


SHEET C1  
SCALE 1:2

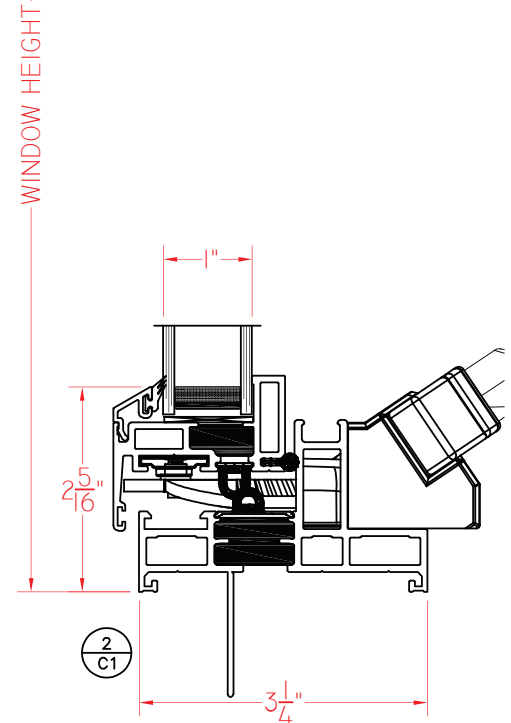


# H450 PROJECT-OUT WITH NAILING FIN (ROTO)

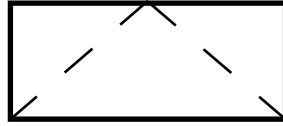
This document contains confidential and proprietary information intended for the private use of Quaker.  
 © 2020 Quaker Window Products Co., INC. All rights reserved.  
 Quaker reserves the right to change any/all designs without notice. Due to periodic re-certification requirements, result shown may vary.



ELEVATION SCALE 3/4" = 1'-0"

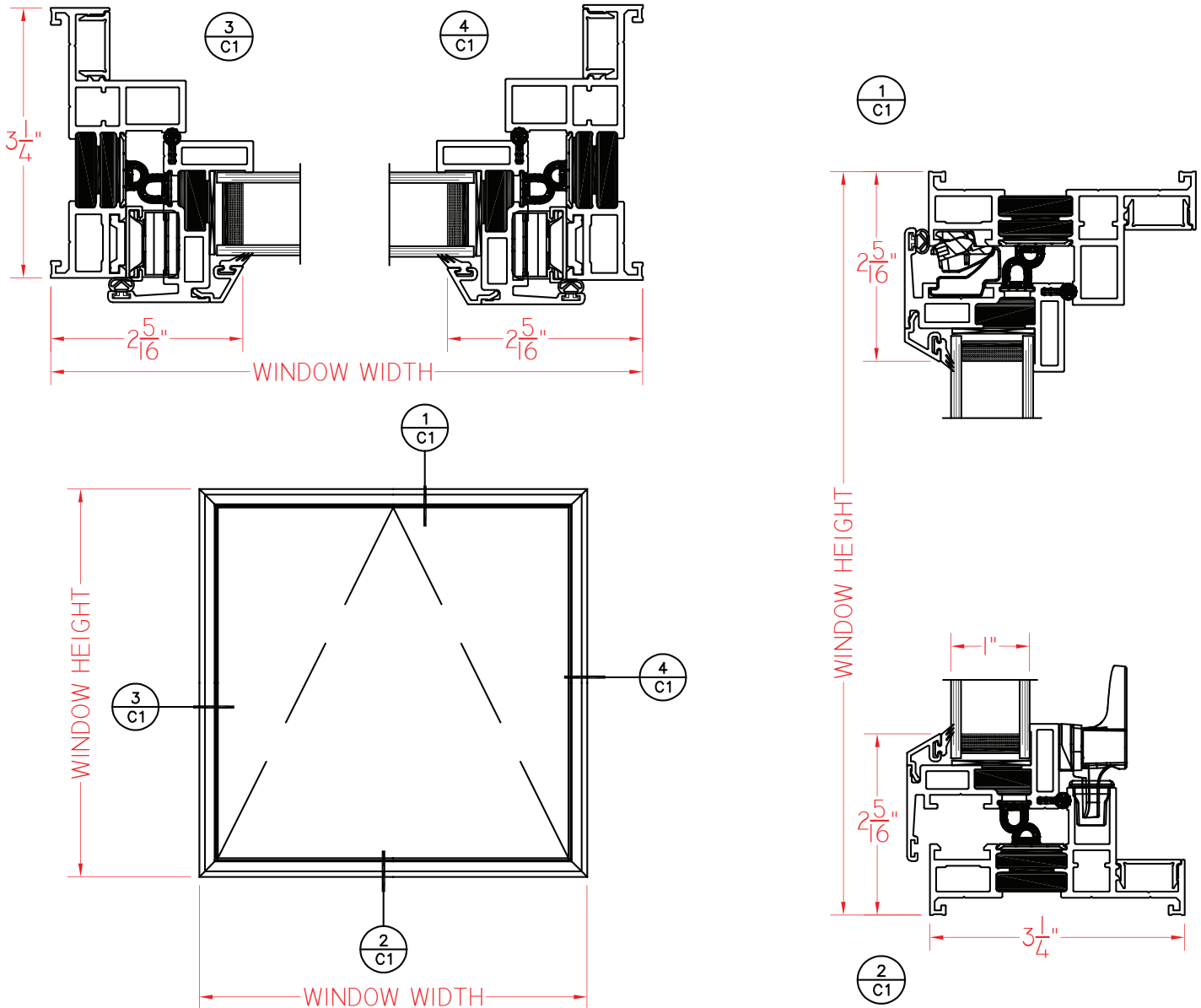


SHEET C1  
SCALE 1:2



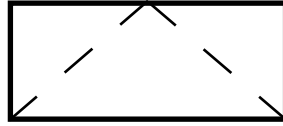
# H450 PROJECT-OUT WITHOUT NAILING FIN (PUSH OUT)

This document contains confidential and proprietary information intended for the private use of Quaker.  
© 2020 Quaker Window Products Co., INC. All rights reserved.  
Quaker reserves the right to change any/all designs without notice. Due to periodic re-certification requirements, result shown may vary.



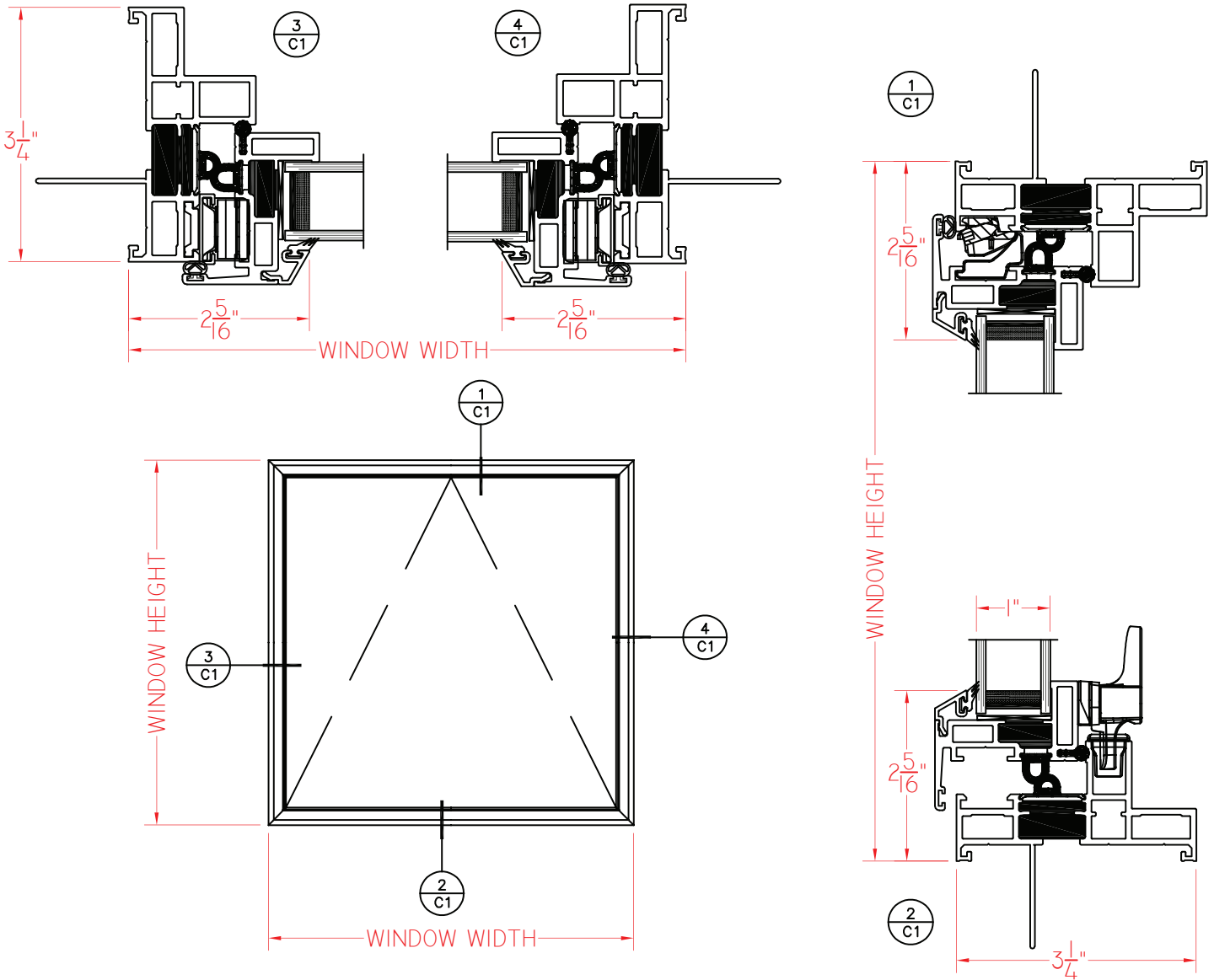
ELEVATION SCALE 3/4" = 1'-0"

SHEET C1  
SCALE 1:2



# H450 PROJECT-OUT WITH NAILING FIN (PUSH OUT)

This document contains confidential and proprietary information intended for the private use of Quaker.  
© 2020 Quaker Window Products Co., INC. All rights reserved.  
Quaker reserves the right to change any/all designs without notice. Due to periodic re-certification requirements, result shown may vary.

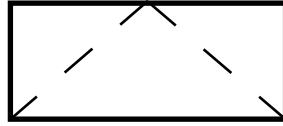


ELEVATION SCALE 3/4" = 1'-0"

SHEET C1  
SCALE 1:2

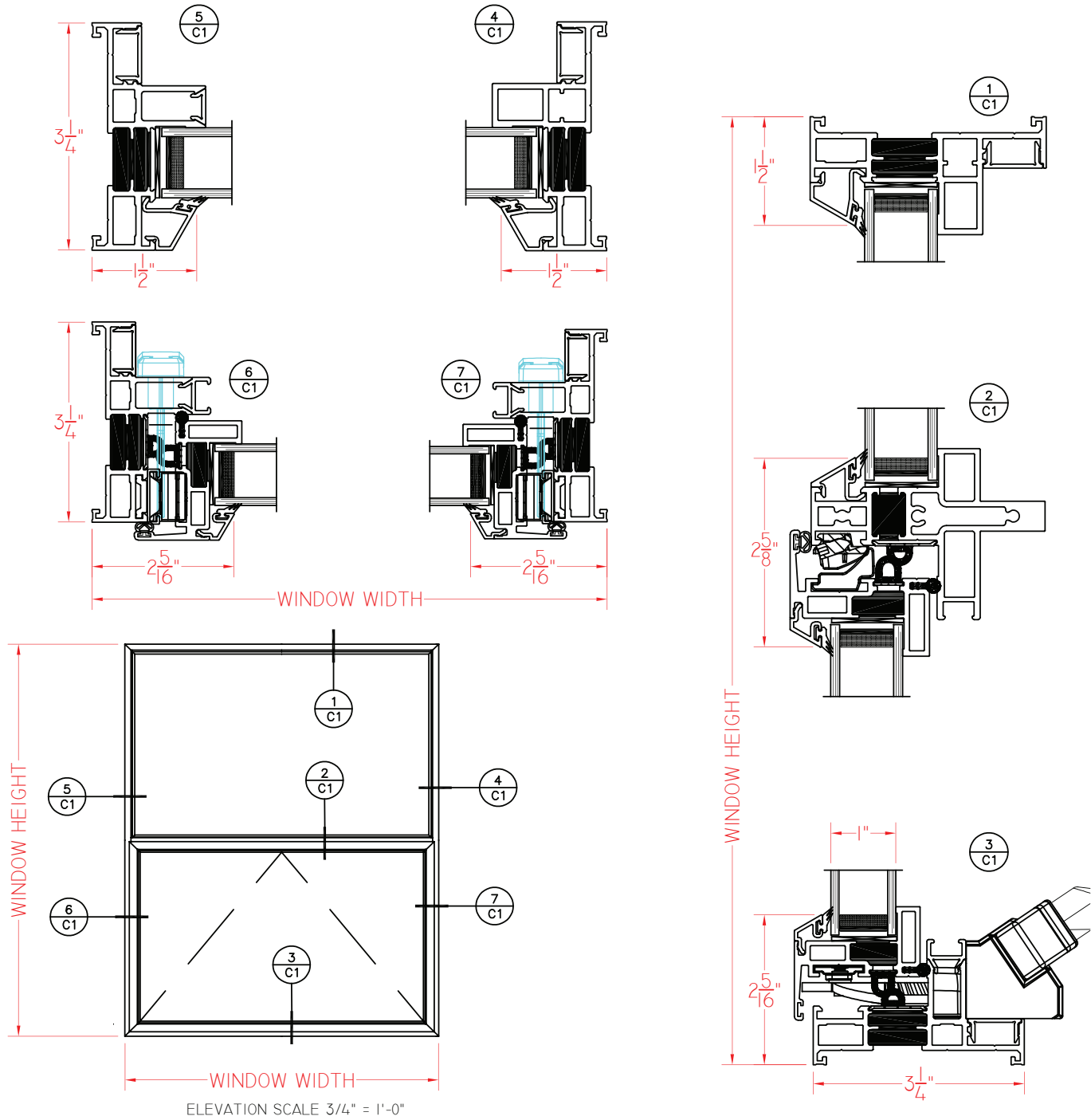
Our products are tested to the standards of and certified by some of the foremost organizations in the fenestration industry.





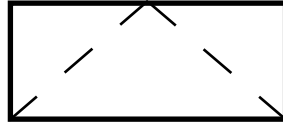
# H450 PROJECT-OUT (ROTO)/FIXED WITHOUT NAILING FIN

This document contains confidential and proprietary information intended for the private use of Quaker.  
© 2020 Quaker Window Products Co., INC. All rights reserved.  
Quaker reserves the right to change any/all designs without notice. Due to periodic re-certification requirements, result shown may vary.



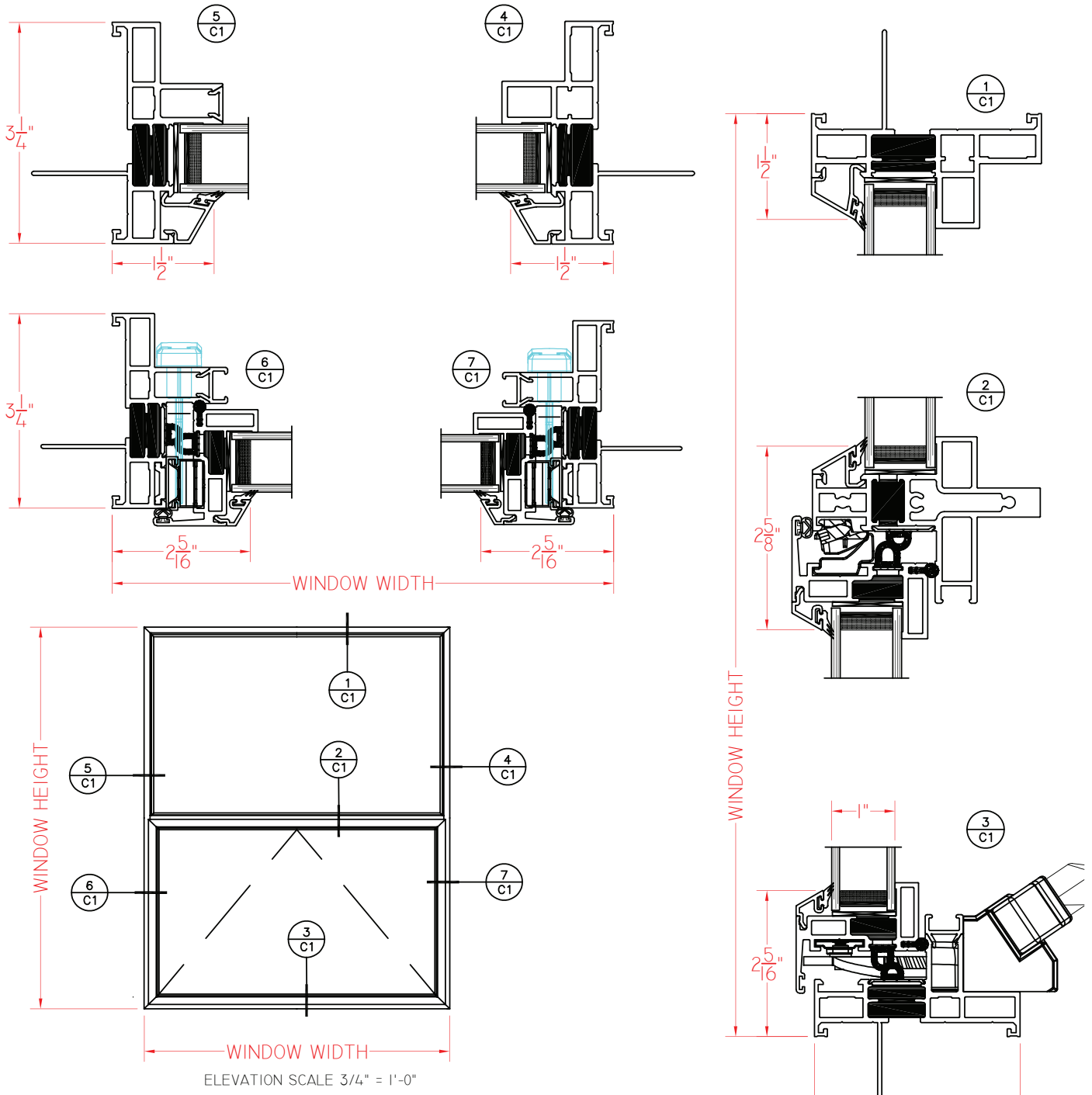
Our products are tested to the standards of and certified by some of the foremost organizations in the fenestration industry.





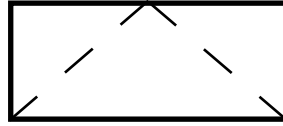
# H450 PROJECT-OUT (ROTO)/FIXED WITH NAILING FIN

This document contains confidential and proprietary information intended for the private use of Quaker.  
© 2020 Quaker Window Products Co., INC. All rights reserved.  
Quaker reserves the right to change any/all designs without notice. Due to periodic re-certification requirements, result shown may vary.



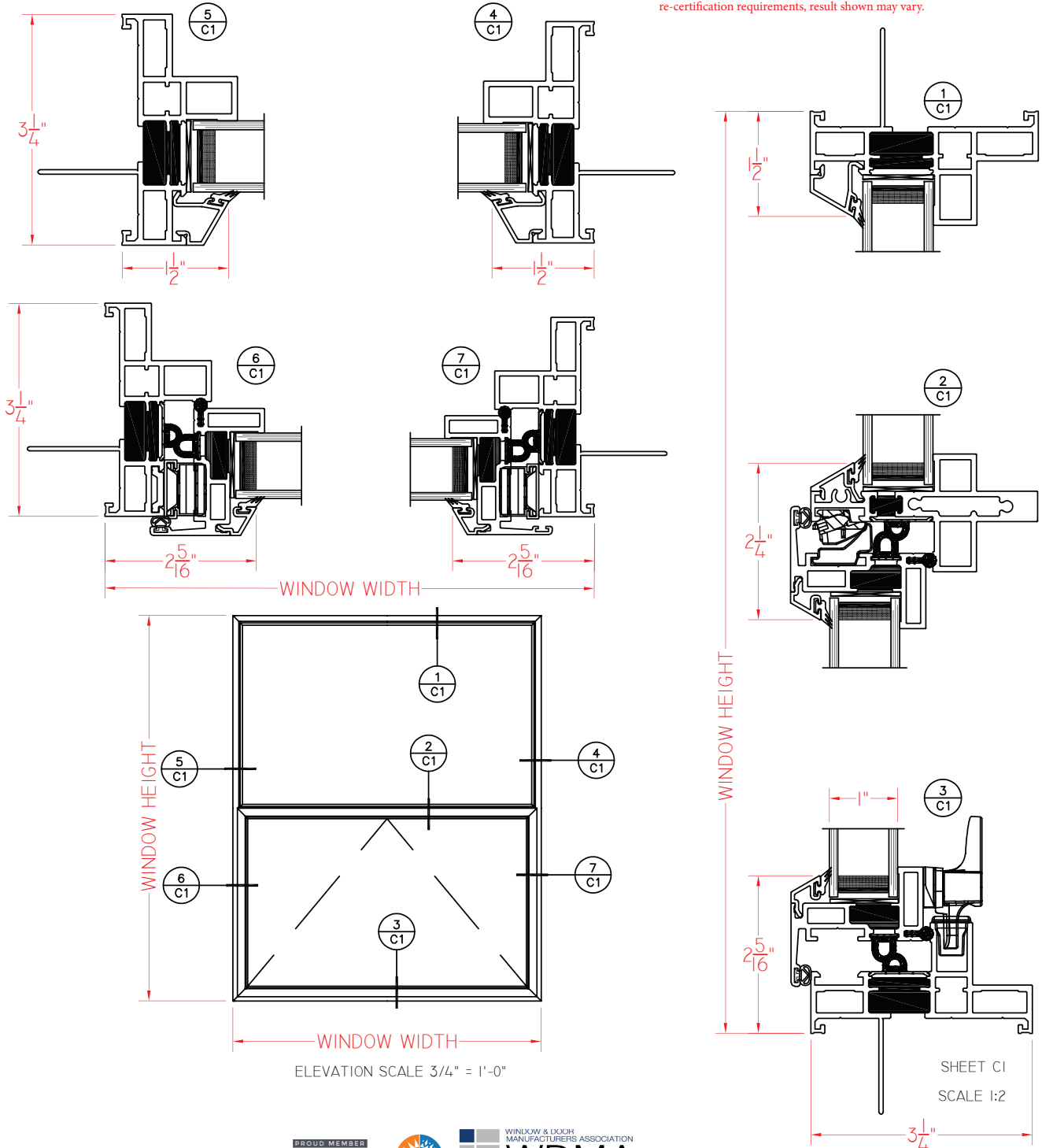
Our products are tested to the standards of and certified by some of the foremost organizations in the fenestration industry.





# H450 PROJECT-OUT (PUSH OUT)/FIXED WITH NAILING FIN

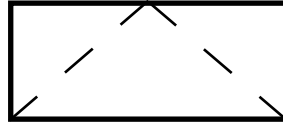
This document contains confidential and proprietary information intended for the private use of Quaker.  
© 2020 Quaker Window Products Co., INC. All rights reserved.  
Quaker reserves the right to change any/all designs without notice. Due to periodic re-certification requirements, result shown may vary.



Our products are tested to the standards of and certified by some of the foremost organizations in the fenestration industry.

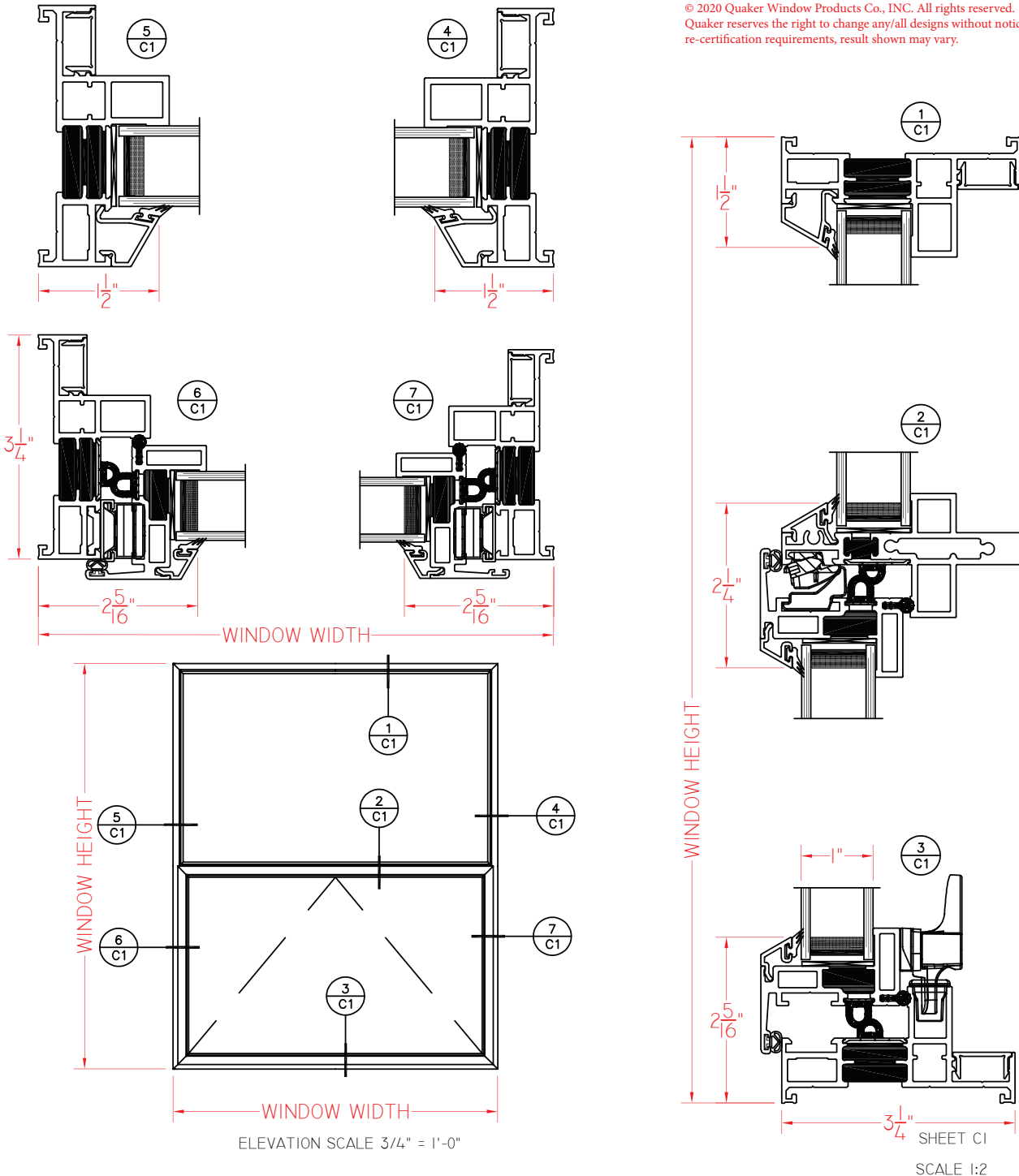






# H450 PROJECT-OUT (PUSH OUT)/FIXED WITHOUT NAILING FIN

This document contains confidential and proprietary information intended for the private use of Quaker.  
© 2020 Quaker Window Products Co., INC. All rights reserved.  
Quaker reserves the right to change any/all designs without notice. Due to periodic re-certification requirements, result shown may vary.

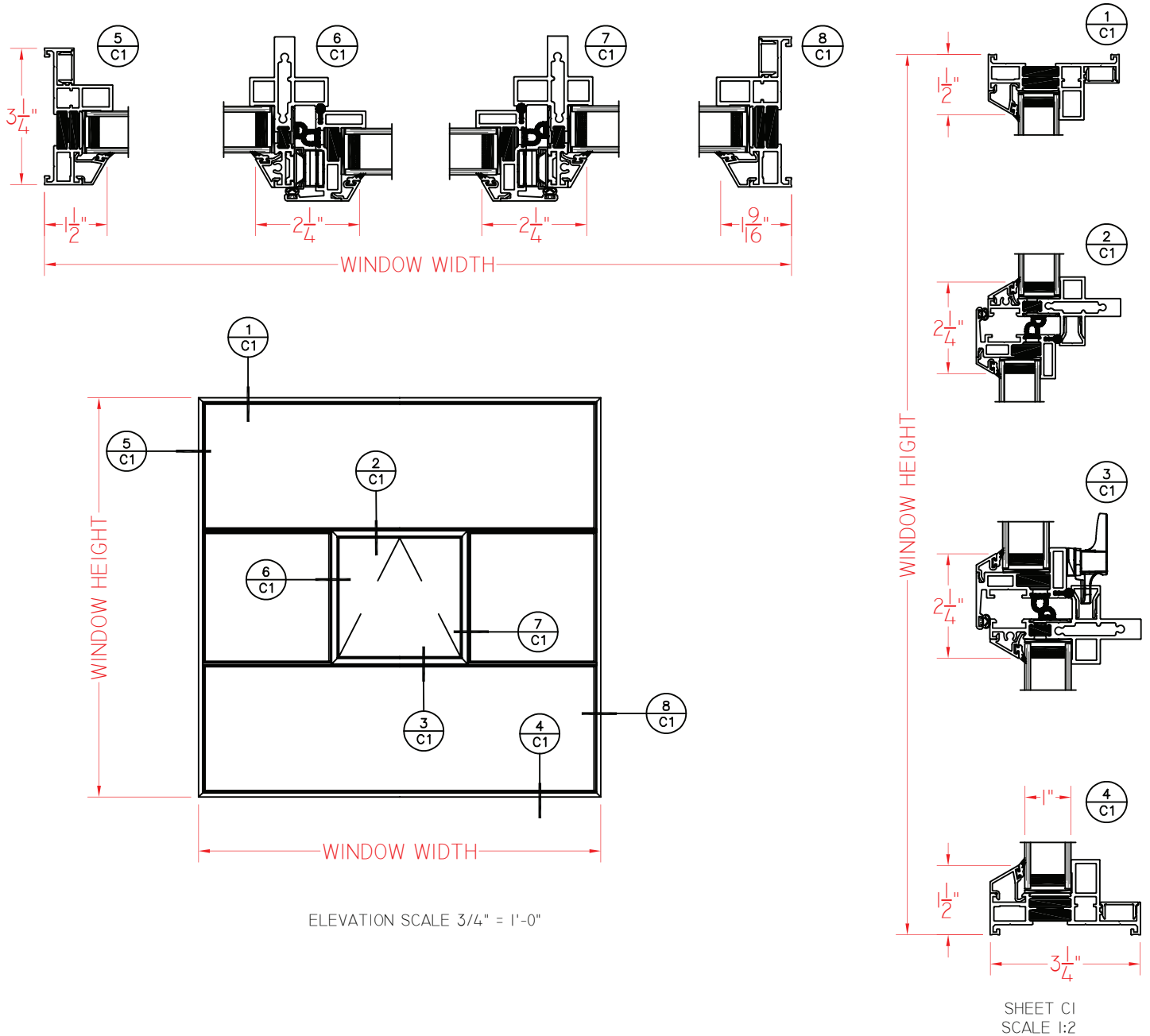


Our products are tested to the standards of and certified by some of the foremost organizations in the fenestration industry.



# H450 FLOATING VENT (FIXED/PROJECT-OUT)

This document contains confidential and proprietary information intended for the private use of Quaker.  
© 2020 Quaker Window Products Co., INC. All rights reserved.  
Quaker reserves the right to change any/all designs without notice. Due to periodic re-certification requirements, result shown may vary.



Our products are tested to the standards of and certified by some of the foremost organizations in the fenestration industry.

